

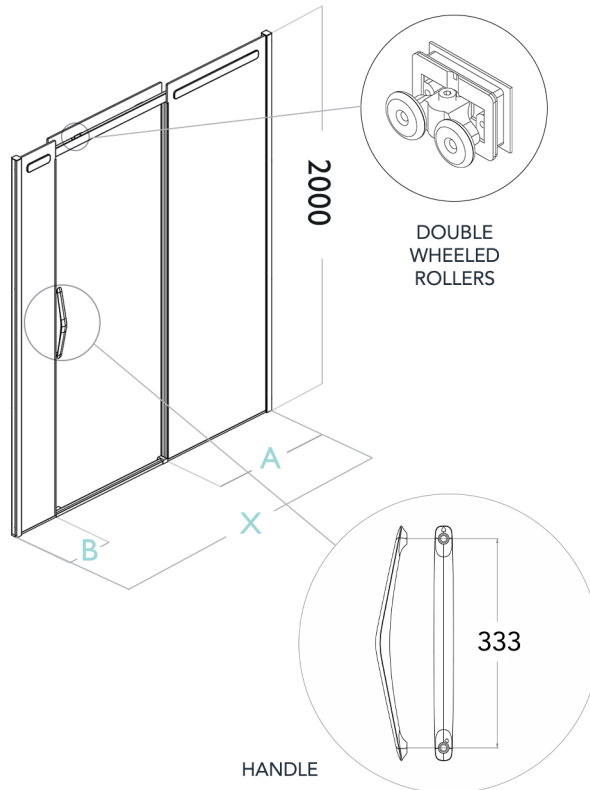
ORO SLIDING DOOR + 2 INLINE PANELS



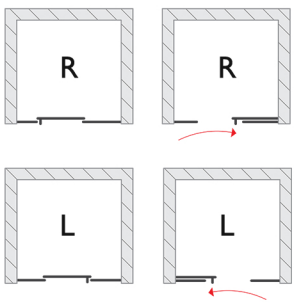
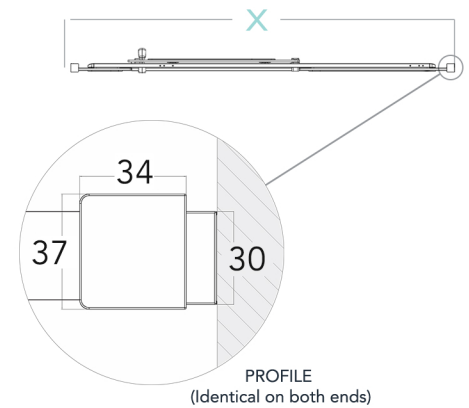
EN 14428:2015+A1:2018 (shower enclosures)
EN 12150-1:2013 (glass in building)
EN ISO7599 (anodizing of aluminium and its alloys)
8mm Toughened Safety Glass
Overall 40mm Profile Adjustment

2000mm Height
10mm Ultra Low Bottom Rail
Crafted Handle Design
ClearVue Glass Coating
Double Wheel Rollers

Patented Magnetic Guide System
Cushion Close Dampener Mechanism
Ultra Clear Seals
20 Year Guarantee Against Manufacturing Defects*



(MEASUREMENTS IN MM)



SPECIFICATIONS

PRODUCT SIZE	ADJUSTMENT X (min - max)	FIXED GLASS		ACCESS	PRODUCT WEIGHT	PRODUCT CODE	
		A	B			SILVER	BLACK
1200mm L	1160 - 1200mm	470mm	163mm	412mm	58.00kg	OROSA2IL120LSC	OROSA2IL120LBC
1200mm R	1160 - 1200mm	470mm	163mm	412mm	58.00kg	OROSA2IL120RSC	OROSA2IL120RBC
1400mm L	1360 - 1400mm	549mm	203mm	493mm	68.00kg	OROSA2IL140LSC	OROSA2IL140LBC
1400mm R	1360 - 1400mm	549mm	203mm	493mm	68.00kg	OROSA2IL140RSC	OROSA2IL140RBC
1500mm L	1460 - 1500mm	600mm	203mm	542mm	72.00kg	OROSA2IL150LSC	OROSA2IL150LBC
1500mm R	1460 - 1500mm	600mm	203mm	542mm	72.00kg	OROSA2IL150RSC	OROSA2IL150RBC
1600mm L	1560 - 1600mm	600mm	303mm	542mm	76.00kg	OROSA2IL160LSC	OROSA2IL160LBC
1600mm R	1560 - 1600mm	600mm	303mm	542mm	76.00kg	OROSA2IL160RSC	OROSA2IL160RBC
1700mm L	1660 - 1700mm	671mm	261mm	614mm	81.00kg	OROSA2IL170LSC	OROSA2IL170LBC
1700mm R	1660 - 1700mm	671mm	261mm	614mm	81.00kg	OROSA2IL170RSC	OROSA2IL170RBC
1800mm L	1760 - 1800mm	671mm	361mm	614mm	85.00kg	OROSA2IL180LSC	OROSA2IL180LBC
1800mm R	1760 - 1800mm	671mm	361mm	614mm	85.00kg	OROSA2IL180RSC	OROSA2IL180RBC
2000mm L	1960 - 2000mm	671mm	561mm	614mm	93.00kg	OROSA2IL200LSC	OROSA2IL200LBC
2000mm R	1960 - 2000mm	671mm	561mm	614mm	93.00kg	OROSA2IL200RSC	OROSA2IL200RBC

+353 42 966 8000 | flairshowers.com | sales@flairshowers.com

All data presented may be subjected to change without prior notice. Flair Showers does the best it can to provide accurate information. Flair Showers unfortunately cannot guarantee this, and accept no liability for any information / advice given.

* Excludes perishable items such as rollers, seals, hinges, etc.

