

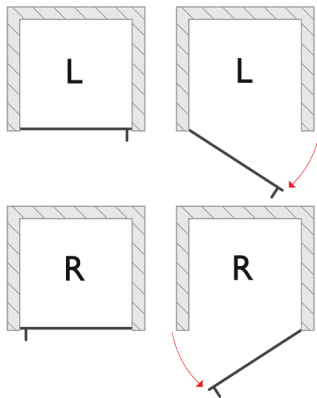
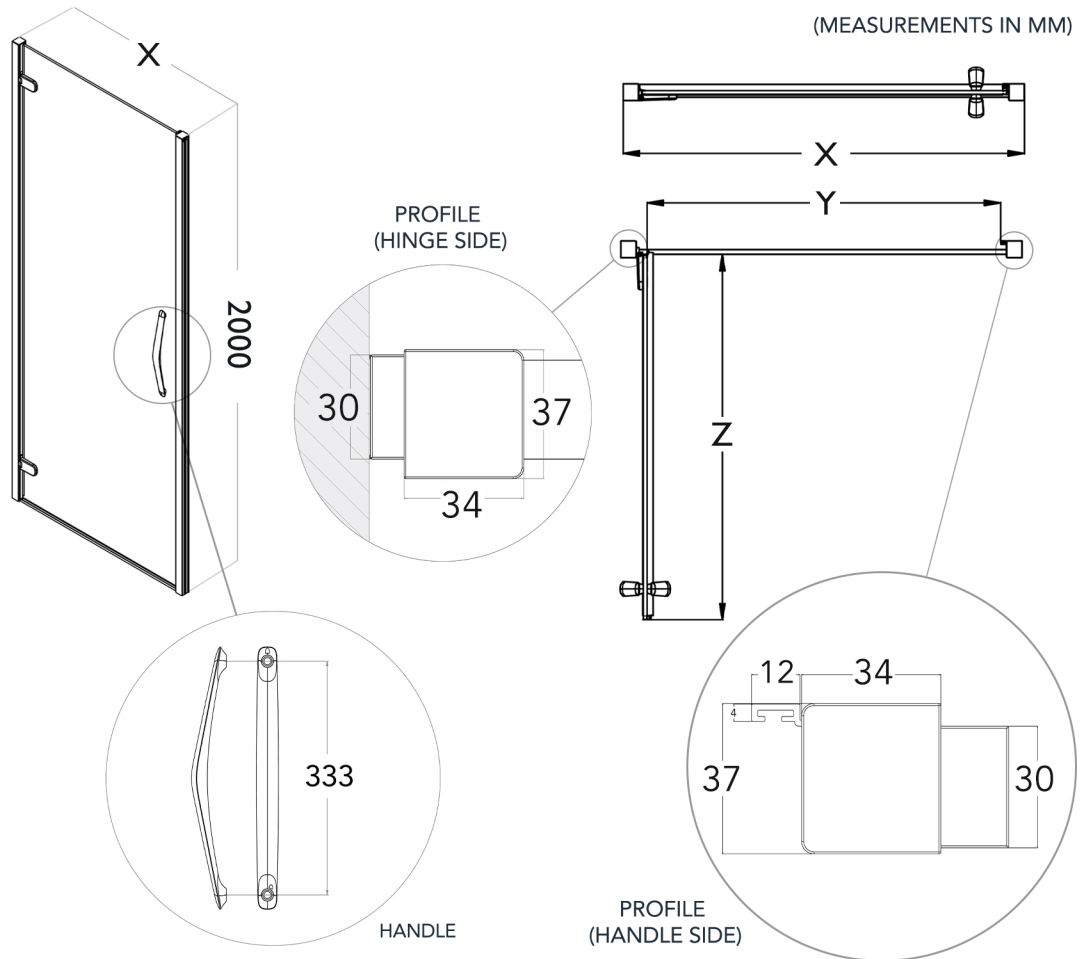
## HINGE DOOR



**EN 14428:2015+A1:2018** (shower enclosures)  
**EN 12150-1:2013** (glass in building)  
**EN ISO7599** (anodizing of aluminium and its alloys)  
**8mm** Toughened Safety Glass  
**Overall 40mm** Profile Adjustment

**2000mm** Height  
**10mm** Ultra Low Bottom Rail  
 Crafted Handle Design  
 ClearVue Glass Coating  
 Ultra Clear Seals

Seamless Interior Cover Strips  
 Universal Left or Right Hand Opening  
 Ultra Clear Seals  
**20 Year Guarantee** Against Manufacturing Defects\*



## SPECIFICATIONS

PRODUCT SIZE	ADJUSTMENT X (min - max)	DOOR ACCESS Y	EXTRUSION Z	PRODUCT WEIGHT	PRODUCT CODE	
					SILVER	BLACK
800mm L	760 - 800mm	660mm	683mm	38.00kg	OROHD80LSC	OROHD80LBC
800mm R	760 - 800mm	660mm	683mm	38.00kg	OROHD80RSC	OROHDR80BC
900mm L	860 - 900mm	760mm	783mm	42.00kg	OROHD90LSC	OROHD90LSC
900mm R	860 - 900mm	760mm	783mm	42.00kg	OROHD90RSC	OROHD90RSC
1000mm L	960 - 1000mm	860mm	883mm	46.00kg	OROHD100LSC	N/A
1000mm R	960 - 1000mm	860mm	883mm	46.00kg	OROHD100RSC	N/A

+353 42 966 8000 | [flairshowers.com](http://flairshowers.com) | [sales@flairshowers.com](mailto:sales@flairshowers.com)

All data presented may be subjected to change without prior notice. Flair Showers does the best it can to provide accurate information. Flair Showers unfortunately cannot guarantee this, and accept no liability for any information / advice given.

\* Excludes perishable items such as rollers, seals, hinges, etc.

