

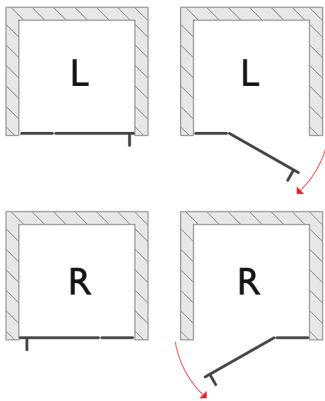
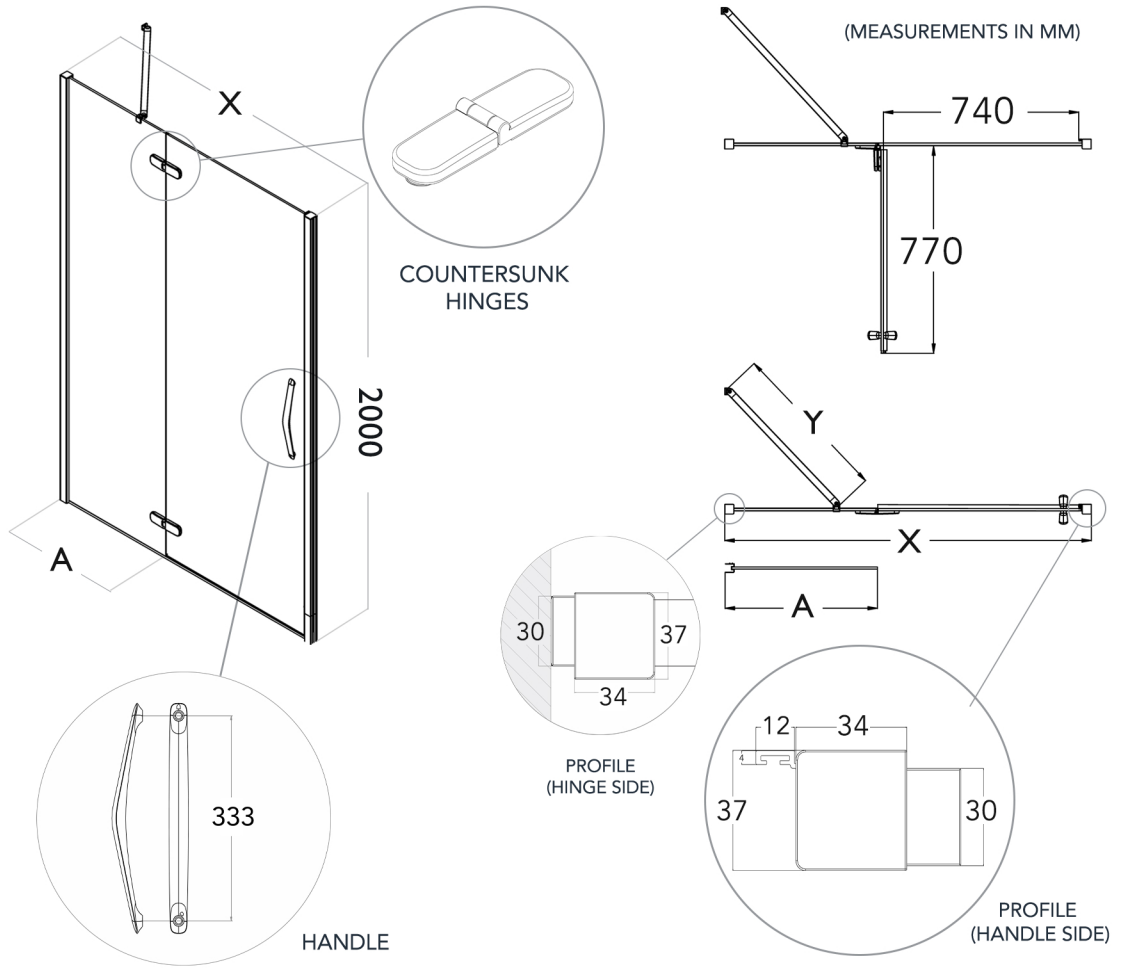
HINGE AND INLINE DOOR



- EN 14428:2015+A1:2018 (shower enclosures)
- EN 12150-1:2013 (glass in building)
- EN ISO7599 (anodizing of aluminium and its alloys)
- 8mm Toughened Safety Glass
- Overall 40mm Profile Adjustment

- 2000mm Height
- 10mm Ultra Low Bottom Rail
- Crafted Handle Design
- ClearVue Glass Coating

- Seamless Interior Cover Strips
- Countersunk Interior Hinges
- Ultra Clear Seals
- 20 Year Guarantee Against Manufacturing Defects*



SPECIFICATIONS

PRODUCT SIZE	ADJUSTMENT X (min - max)	STABILIZING BAR Y	SIDE PANEL A	DOOR ACCESS	EXTRUSION	PRODUCT WEIGHT	PRODUCT CODE	
							SILVER	BLACK
1100mm L	1060 - 1100mm	350mm	265mm	740mm	770mm	53.00kg	OROHD110LSC	N/A
1100mm R	1060 - 1100mm	350mm	265mm	740mm	770mm	53.00kg	OROHD110RSC	N/A
1200mm L	1160 - 1200mm	400mm	365mm	740mm	770mm	56.00kg	OROHD120LSC	OROHD120LBC
1200mm R	1160 - 1200mm	400mm	365mm	740mm	770mm	56.00kg	OROHD120RSC	OROHD120RBC
1400mm L	1360 - 1400mm	600mm	565mm	740mm	770mm	61.00kg	OROHD140LSC	N/A
1400mm R	1360 - 1400mm	600mm	565mm	740mm	770mm	61.00kg	OROHD140RSC	N/A
1600mm L	1560 - 1600mm	750mm	765mm	740mm	770mm	73.00kg	OROHD160LSC	N/A
1600mm R	1560 - 1600mm	750mm	765mm	740mm	770mm	73.00kg	OROHD160RSC	N/A

+353 42 966 8000 | flairshowers.com | sales@flairshowers.com

All data presented may be subjected to change without prior notice. Flair Showers does the best it can to provide accurate information. Flair Showers unfortunately cannot guarantee this, and accept no liability for any information / advice given.

* Excludes perishable items such as rollers, seals, hinges, etc.

