

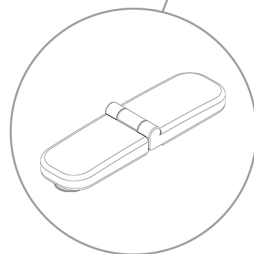
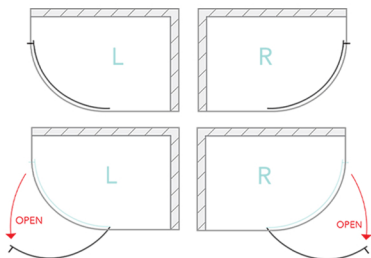
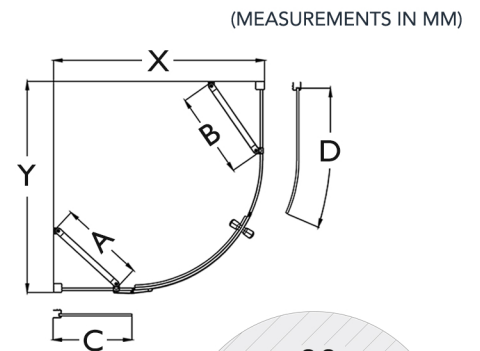
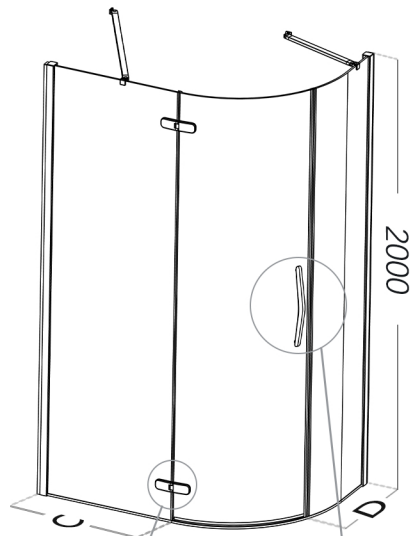
HINGED OFFSET QUADRANT DOOR



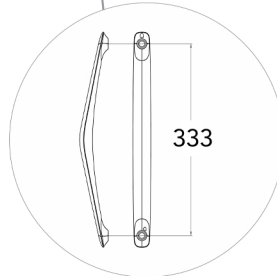
EN 14428:2015+A1:2018 (shower enclosures)
EN 12150-1:2013 (glass in building)
EN ISO7599 (anodizing of aluminium and its alloys)
 8mm Toughened Safety Glass
 20mm Profile Adjustment

2000mm Height
 10mm Ultra Low Bottom Rail
 Crafted Handle Design
 ClearVue Glass Coating
 Ultra Clear Seals

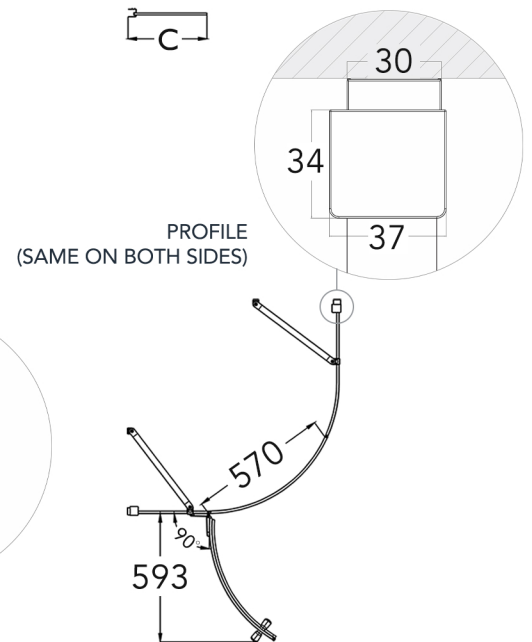
Seamless Interior Cover Strips
 Countersunk Interior Hinges
 Stainless Steel Angled Stabilizing Bar
20 Year Guarantee Against Manufacturing Defects*



COUNTERSUNK HINGES



HANDLE



SPECIFICATIONS

PRODUCT SIZE	ADJUSTMENT		STABILIZING BAR		GLASS PANEL		EXTRUSION	DOOR ACCESS	PRODUCT WEIGHT	PRODUCT CODE	
	X (min - max)	Y (min - max)	A	B	C	D				SILVER	BLACK
1000 X 800mm L	970 - 990mm	770 - 790mm	450mm	350mm	425mm	449mm	593mm	570mm	70.00kg	OROHQ80X100LSC	N/A
1000 X 800mm R	970 - 990mm	770 - 790mm	450mm	350mm	425mm	449mm	593mm	570mm	70.00kg	OROHQ80X100RSC	N/A
1000 X 900mm L	970 - 990mm	870 - 890mm	450mm	350mm	425mm	549mm	593mm	570mm	74.00kg	OROHQ90X100LSC	N/A
1000 X 900mm R	970 - 990mm	870 - 890mm	450mm	350mm	425mm	549mm	593mm	570mm	74.00kg	OROHQ90X100RSC	N/A
1200 X 800mm L	1170 - 1190mm	770 - 790mm	450mm	350mm	625mm	449mm	593mm	570mm	78.00kg	OROHQ80X120LSC	OROHQ80X120LSC
1200 X 800mm R	1170 - 1190mm	770 - 790mm	450mm	350mm	625mm	449mm	593mm	570mm	78.00kg	OROHQ80X120RSC	OROHQ80X120RSC
1200 X 900mm L	1170 - 1190mm	870 - 890mm	450mm	400mm	625mm	549mm	593mm	570mm	82.00kg	OROHQ90X120LSC	OROHQ90X120LSC
1200 X 900mm R	1170 - 1190mm	870 - 890mm	450mm	400mm	625mm	549mm	593mm	570mm	82.00kg	OROHQ90X120RSC	OROHQ90X120RSC

+353 42 966 8000 | flairshowers.com | sales@flairshowers.com

All data presented may be subjected to change without prior notice. Flair Showers does the best it can to provide accurate information. Flair Showers unfortunately cannot guarantee this, and accept no liability for any information / advice given.

* Excludes perishable items such as rollers, seals, hinges, etc.

