

## SLIDING QUADRANT DOOR



EN 14428:2015+A1:2018 (shower enclosures)

EN 12150-1:2013 (glass in building)

EN ISO7599 (anodizing of aluminium and its alloys)

8mm Toughened Safety Glass

20mm Profile Adjustment

2000mm Height

20mm Profile Adjustment

10mm Ultra Low Bottom Rail

Crafted Handle Design

ClearVue Glass Coating

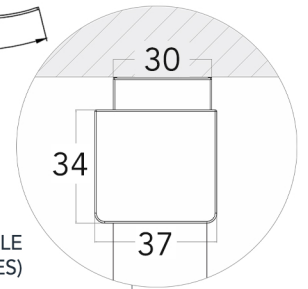
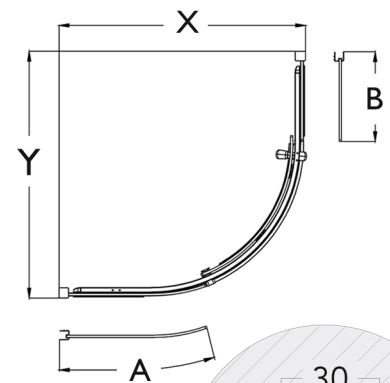
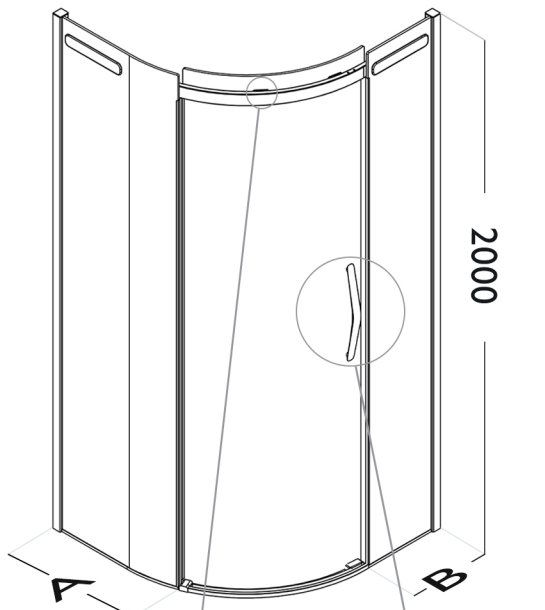
Cushion Close Dampener Mechanism

Patented Magnetic Guide System

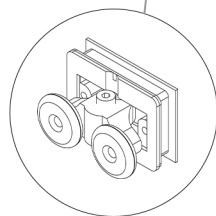
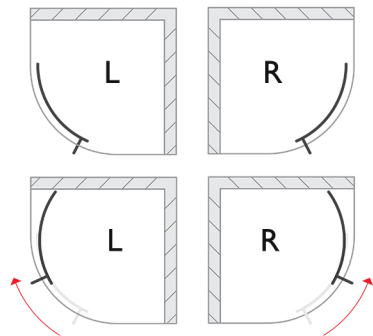
Ultra Clear Seals

20 Year Guarantee Against Manufacturing Defects\*

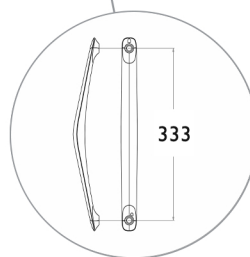
(MEASUREMENTS IN MM)



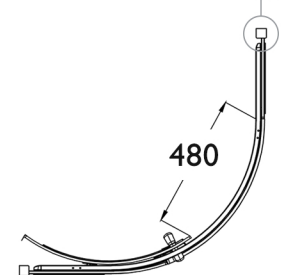
PROFILE  
(SAME ON BOTH SIDES)



DOUBLE  
WHEELED  
ROLLERS



HANDLE



## SPECIFICATIONS

PRODUCT SIZE	ADJUSTMENT		GLASS PANEL		DOOR ACCESS	PRODUCT WEIGHT	PRODUCT CODE	
	X (min - max)	Y (min - max)	A	B			SILVER	BLACK
900 X 900mm L	870 - 890mm	870 - 890mm	525mm	316mm	480mm	76.00kg	OROSQ90LSC	OROSQ90LBC
900 X 900mm R	870 - 890mm	870 - 890mm	525mm	316mm	480mm	76.00kg	OROSQ90RSC	OROSQ90RBC
1000 X 1000mm L	970 - 990mm	970 - 990mm	625mm	416mm	480mm	80.50kg	OROSQ100LSC	N/A
1000 X 1000mm R	970 - 990mm	970 - 990mm	625mm	416mm	480mm	80.50kg	OROSQ100RSC	N/A

+353 42 966 8000 | [flairshowers.com](http://flairshowers.com) | [sales@flairshowers.com](mailto:sales@flairshowers.com)

All data presented may be subjected to change without prior notice. Flair Showers does the best it can to provide accurate information. Flair Showers unfortunately cannot guarantee this, and accept no liability for any information / advice given.

\* Excludes perishable items such as rollers, seals, hinges, etc.

