

### SLIDER DOOR

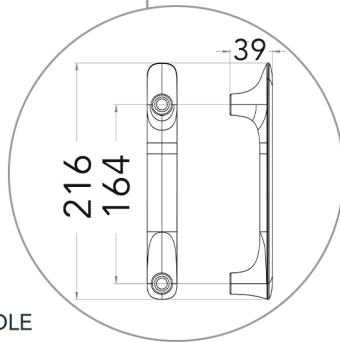
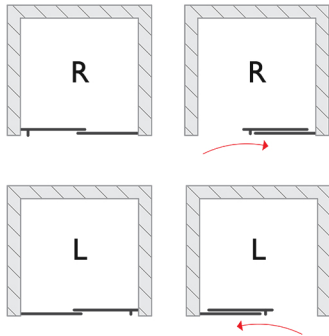
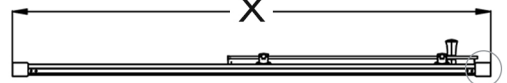
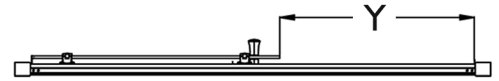
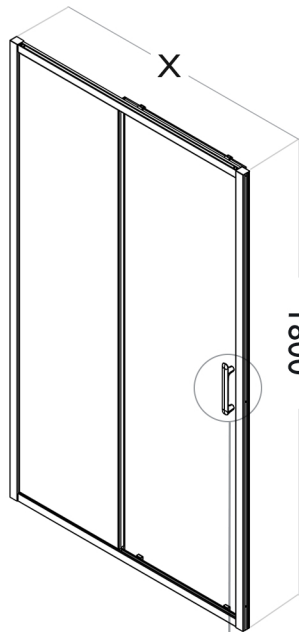
EN 14428:2015+A1:2018 (shower enclosures)  
 EN 12150-1:2013 (glass in building)  
 EN ISO7599 (anodizing of aluminium and its alloys)  
 6mm Toughened Safety Glass  
 25mm Profile Adjustment  
 1800mm Height

ClearVue Glass Coating  
 Reversible  
 Chrome Plated Handle  
 Ultra Clear PVC Seals  
 Silent Wheel Roller Mechanism  
 Press Fit Seal Design

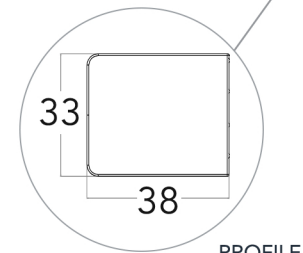
Chrome Plated ABS Cover Caps  
 Seamless Interior Cover Strips  
 Quick Release Double Wheel Rollers  
 25mm Wall Profile Extension Available  
 Shower Tray or Wetroom Installation  
 20 Year Guarantee Against Manufacturing Defects\*



(MEASUREMENTS IN MM)



HANDLE



PROFILE

### SPECIFICATIONS

PRODUCT SIZE	ADJUSTMENT X (min - max)	DOOR ACCESS Y	GLASS PANEL A	PRODUCT WEIGHT	PRODUCT CODE SILVER
1200mm	1150 - 1200mm	470mm	530mm	43.00kg	ILI180SA120SC

+353 42 966 8000 | [flairshowers.com](http://flairshowers.com) | [sales@flairshowers.com](mailto:sales@flairshowers.com)

All data presented may be subjected to change without prior notice. Flair Showers does the best it can to provide accurate information. Flair Showers unfortunately cannot guarantee this, and accept no liability for any information / advice given.

\* Excludes perishable items such as rollers, seals, hinges, etc.

