

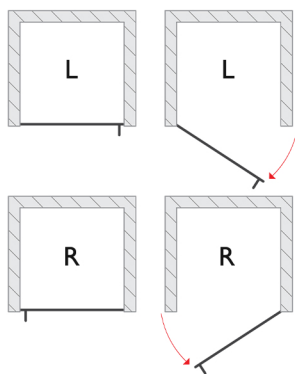
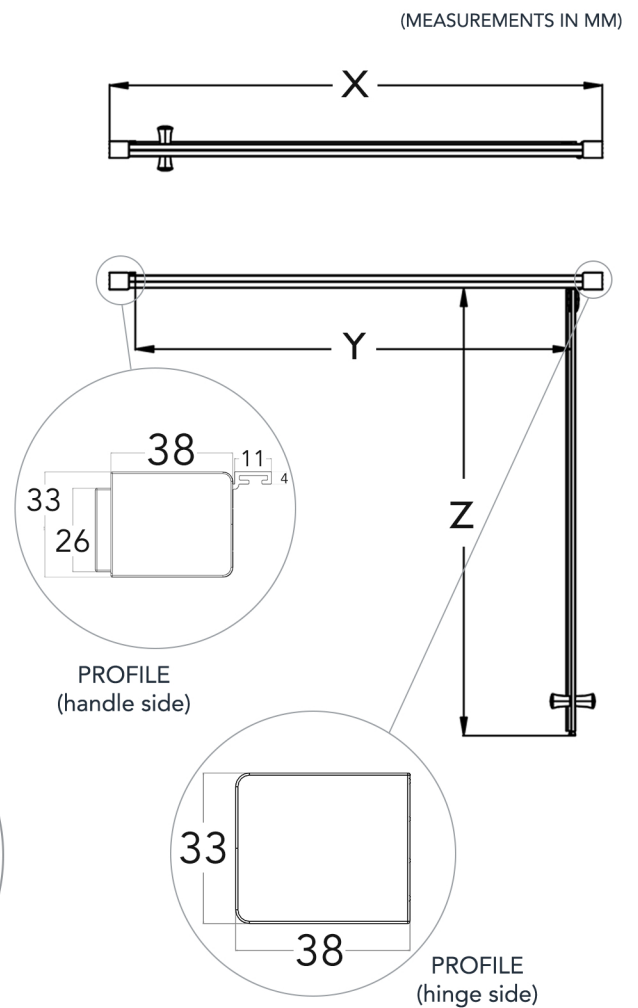
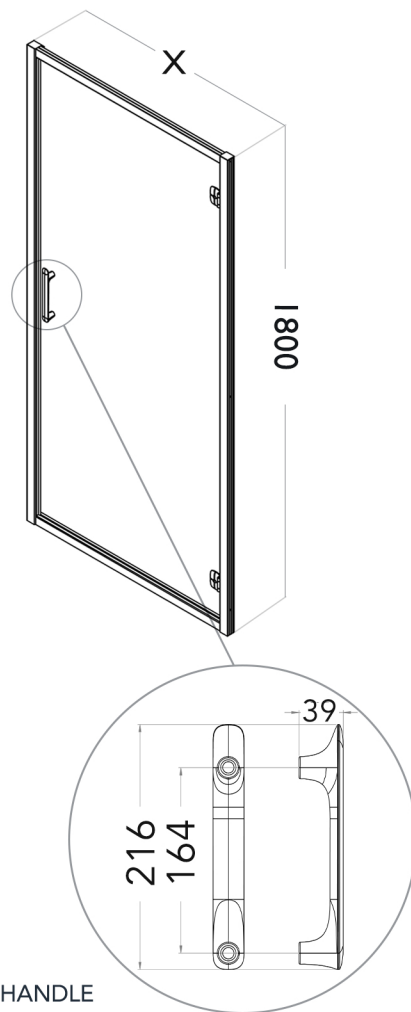
HINGE DOOR



- EN 14428:2015+A1:2018 (shower enclosures)
- EN 12150-1:2013 (glass in building)
- EN ISO7599 (anodizing of aluminium and its alloys)
- 6mm Toughened Safety Glass
- 25mm Profile Adjustment
- 1800mm Height

- ClearVue Glass Coating
- Reversible
- Chrome Plated Handle
- Ultra Clear PVC Seals
- Press Fit Seal Design
- Chrome Plated ABS Cover Caps

- Seamless Interior Cover Strips
- 25mm Wall Profile Extension Available
- Shower Tray or Wetroom Installation
- Pre-Assembled Door Frame on Bifold / Hinge Door
- 20 Year Guarantee** Against Manufacturing Defects*



SPECIFICATIONS

PRODUCT SIZE	ADJUSTMENT X (min - max)	DOOR ACCESS Y	EXTRUSION Z	PRODUCT WEIGHT	PRODUCT CODE	
					SILVER	MATTE BLACK
700mm	650 - 700mm	540mm	561mm	23.00kg	ILI180HD70SC	ILI180HD70BC
760mm	710 - 760mm	600mm	621mm	24.00kg	ILI180HD76SC	ILI180HD76BC
800mm	750 - 800mm	640mm	661mm	28.00kg	ILI180HD80SC	ILI180HD80BC
900mm	850 - 900mm	740mm	761mm	31.00kg	ILI180HD90SC	ILI180HD90BC

+353 42 966 8000 | flairshowers.com | sales@flairshowers.com

All data presented may be subjected to change without prior notice. Flair Showers does the best it can to provide accurate information. Flair Showers unfortunately cannot guarantee this, and accept no liability for any information / advice given.

* Excludes perishable items such as rollers, seals, hinges, etc.

