



HINGE DOOR



EN 14428:2015+A1:2018 (shower enclosures)

EN 12150-1:2013 (glass in building)

EN ISO7599 (anodizing of aluminium and its alloys)

6mm Toughened Safety Glass

25mm Profile Adjustment

1950mm Height

ClearVue Glass Coating

Reversible

Chrome Plated Handle

Ultra Clear PVC Seals

Press Fit Seal Design

Chrome Plated ABS Cover Caps

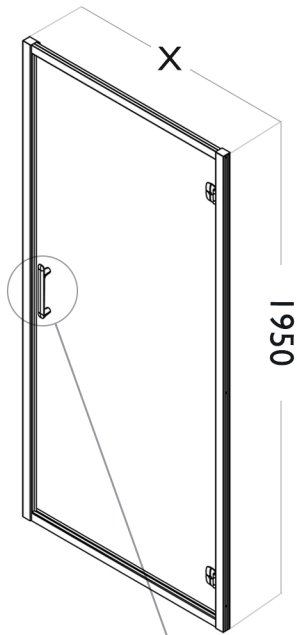
Seamless Interior Cover Strips

25mm Wall Profile Extension Available

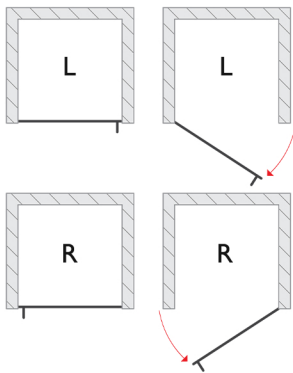
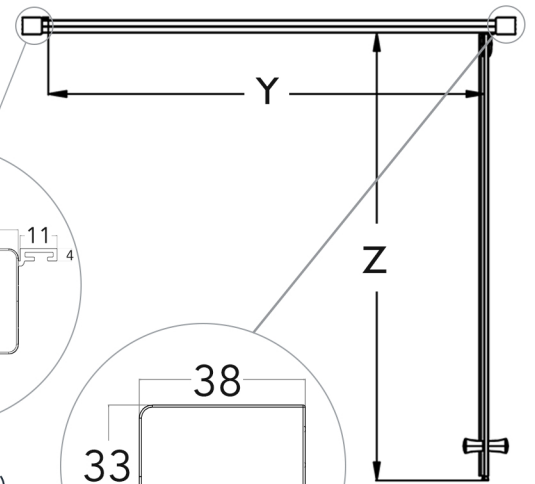
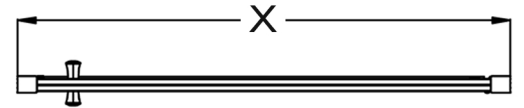
Shower Tray or Wetroom Installation

Pre-Assembled Door Frame on Bifold / Hinge Door

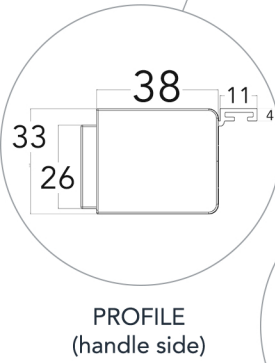
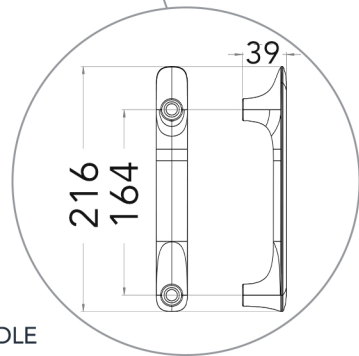
20 Year Guarantee Against Manufacturing Defects*



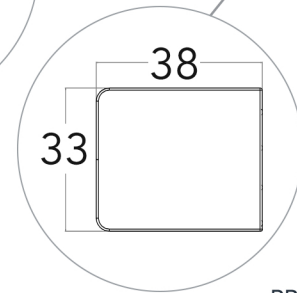
(MEASUREMENTS IN MM)



HANDLE



PROFILE (handle side)



PROFILE (hinge side)

SPECIFICATIONS

PRODUCT SIZE	ADJUSTMENT X (min - max)	DOOR ACCESS Y	EXTRUSION Z	PRODUCT WEIGHT	PRODUCT CODE	
					SILVER	MATTE BLACK
760mm	710 - 760mm	600mm	621mm	26.00kg	ILHD76SC	ILHD76BC
800mm	750 - 800mm	640mm	661mm	28.00kg	ILHD80SC	ILHD80BC
850mm	800 - 850mm	690mm	711mm	30.00kg	ILHD85SC	ILHD85BC
900mm	850 - 900mm	740mm	761mm	31.00kg	ILHD90SC	ILHD90BC
1000mm	950 - 1000mm	840mm	861mm	34.00kg	ILHD100SC	

+353 42 966 8000 | flairshowers.com | sales@flairshowers.com

All data presented may be subjected to change without prior notice. Flair Showers does the best it can to provide accurate information. Flair Showers unfortunately cannot guarantee this, and accept no liability for any information / advice given.

* Excludes perishable items such as rollers, seals, hinges, etc.

