

CORNER ENTRY

EN 14428:2015+A1:2018 (shower enclosures)

EN 12150-1:2013 (glass in building)

EN ISO7599 (anodizing of aluminium and its alloys)

6mm Toughened Safety Glass

1900mm Height

Solid Chrome Handle

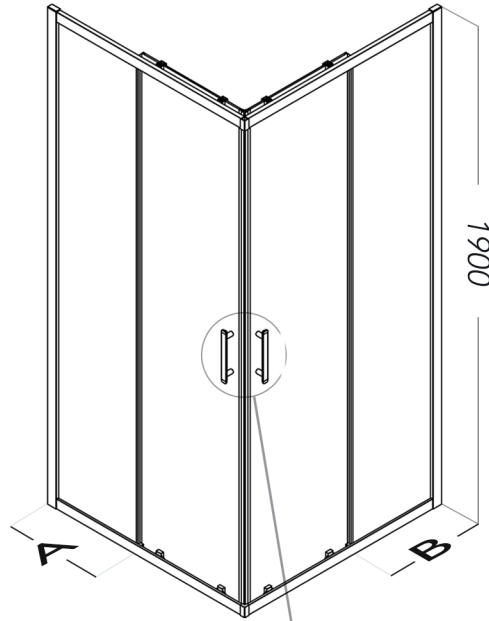
25mm Profile Adjustment

Chrome Plated Cover Caps

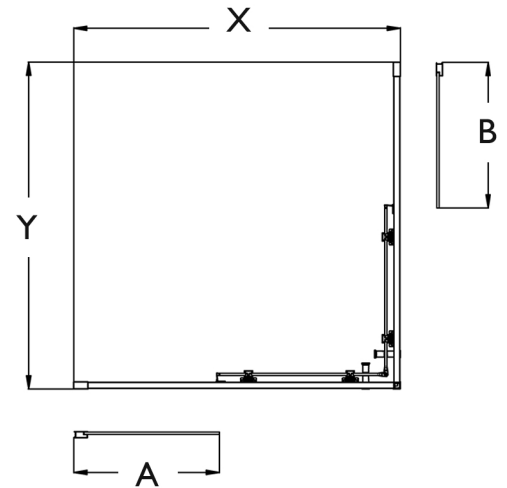
ClearVue Glass Coating

Quick Release Double Wheel Rollers

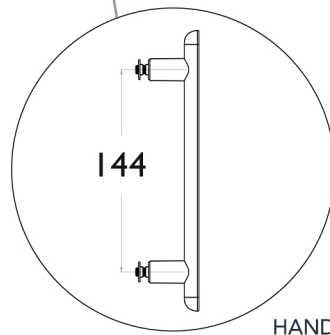
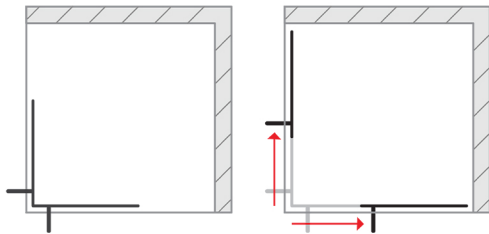
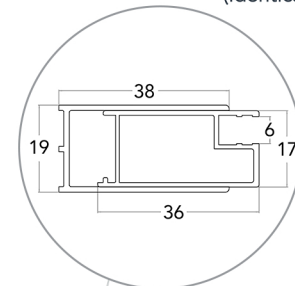
20 Year Guarantee Against Manufacturing Defects*



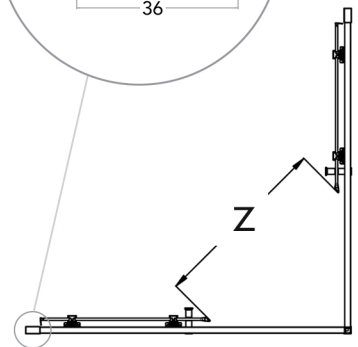
(MEASUREMENTS IN MM)



PROFILE
(Identical on both sides)



HANDLE



SPECIFICATIONS

PRODUCT SIZE	ADJUSTMENT X = Y (min - max)	DOOR ACCESS Z	GLASS PANEL		PRODUCT WEIGHT	PRODUCT CODE SILVER
			A	B		
700mm	670 - 695mm	340mm	287mm	287mm	41.50kg	VCE70SSC
760mm	730 - 755mm	382mm	322mm	322mm	44.00kg	VCE76SSC
800mm	770 - 795mm	410mm	337mm	337mm	47.00kg	VCE80SSC
900mm	870 - 895mm	485mm	387mm	387mm	53.00kg	VCE90SSC
1000mm	970 - 995mm	551mm	437mm	437mm	62.00kg	VCE100SSC
1200mm	1170 - 1195mm	551mm	637mm	637mm	72.00kg	VCE120SSC

+353 42 966 8000 | flairshowers.com | sales@flairshowers.com

All data presented may be subjected to change without prior notice. Flair Showers does the best it can to provide accurate information. Flair Showers unfortunately cannot guarantee this, and accept no liability for any information / advice given.

* Excludes perishable items such as rollers, seals, hinges, etc.

