

## ONE DOOR OFFSET QUADRANT



EN 14428:2015+A1:2018 (shower enclosures)

EN 12150-1:2013 (glass in building)

EN ISO7599 (anodizing of aluminium and its alloys)

25mm Profile Adjustment

6mm Toughened Safety Glass

1900mm Height

Solid Chrome Handle

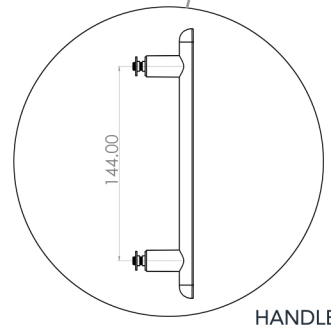
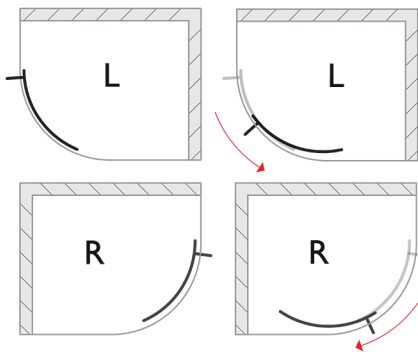
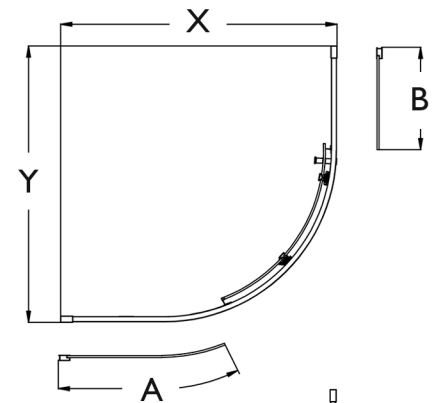
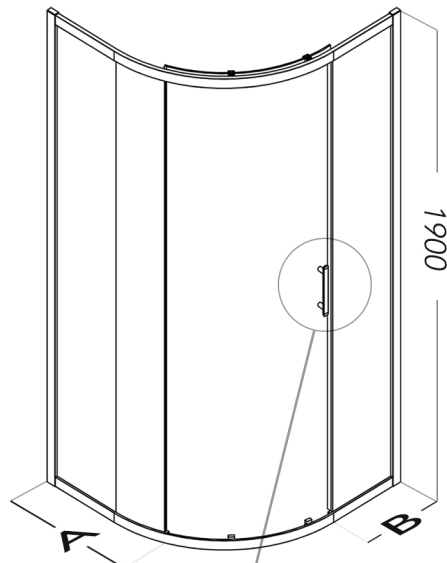
Ultra Slim Chrome Plated Cover Caps

ClearVue Glass Coating

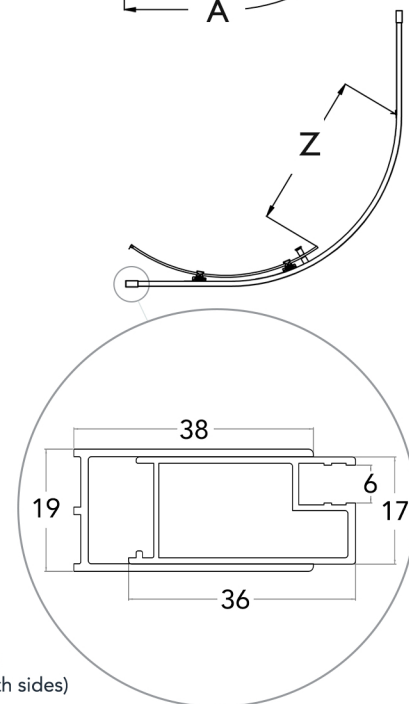
Reversible

Quick Release Chrome Double Wheel Rollers

20 Year Guarantee Against Manufacturing Defects\*



HANDLE



PROFILE  
(Identical on both sides)

## SPECIFICATIONS

PRODUCT SIZE	ADJUSTMENT		DOOR ACCESS Z	GLASS PANEL		PRODUCT WEIGHT	PRODUCT CODE	
	X (min - max)	Y (min - max)		A	B		SILVER	BLACK
800 X 900mm	770 - 795mm	870 - 895mm	490mm	530mm	222mm	45.00kg	VOCQ80X90SC	N/A
800 X 1000mm	770 - 795mm	970 - 995mm	490mm	630mm	222mm	47.00kg	VOCQ80X100SC	N/A
900 X 1000mm	870 - 895mm	970 - 995mm	490mm	630mm	322mm	50.00kg	VOCQ90X100SC	N/A
800 X 1200mm	770 - 795mm	1170 - 1195mm	490mm	830mm	322mm	57.00kg	VOCQ80X120SC	VOCQ80X120BC
900 X 1200mm	870 - 895mm	1170 - 1195mm	490mm	530mm	322mm	60.00kg	VOCQ90X120SC	VOCQ90X120BC

+353 42 966 8000 | [flairshowers.com](http://flairshowers.com) | [sales@flairshowers.com](mailto:sales@flairshowers.com)

All data presented may be subjected to change without prior notice. Flair Showers does the best it can to provide accurate information. Flair Showers unfortunately cannot guarantee this, and accept no liability for any information / advice given.

\* Excludes perishable items such as rollers, seals, hinges, etc.

