

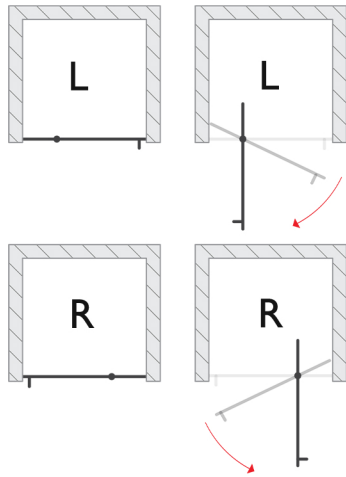
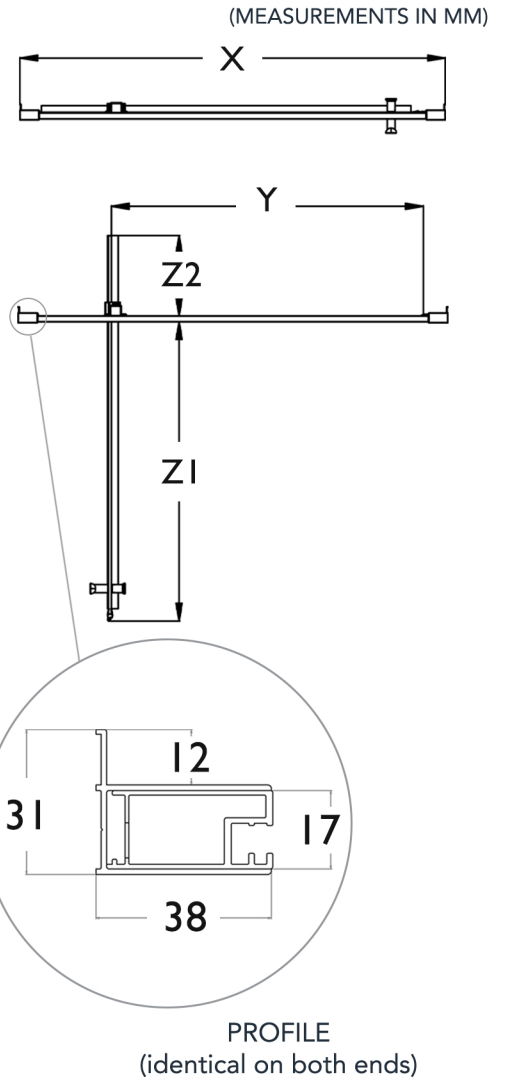
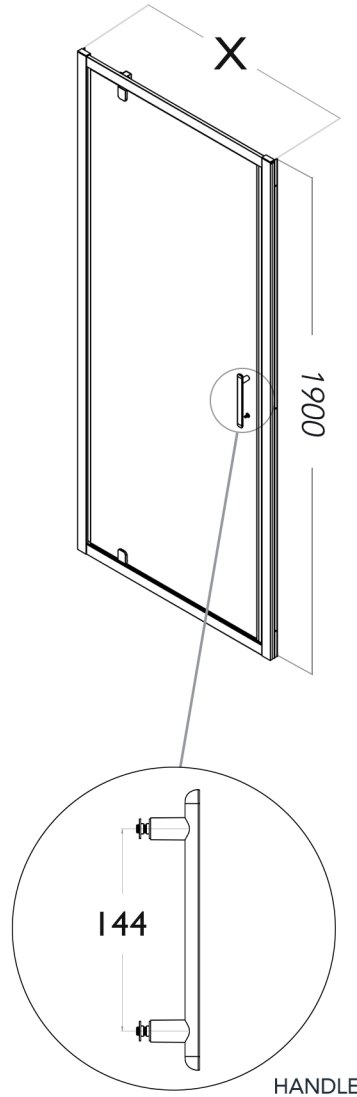
PIVOT DOOR



- EN 14428:2015+A1:2018 (shower enclosures)
- EN 12150-1:2013 (glass in building)
- EN ISO7599 (anodizing of aluminium and its alloys)
- 6mm Toughened Safety Glass

- 1900mm Height
- Solid Chrome Handle
- 50mm Profile Adjustment
- Positive Magnetic Close Action

- ClearVue Glass Coating
- Quality Engineered Hinge
- Reversible
- 20 Year Guarantee Against Manufacturing Defects*



SPECIFICATIONS

PRODUCT SIZE	ADJUSTMENT X (min - max)	DOOR ACCESS Y	EXTRUSION Z1	INTRUSION Z2	PRODUCT WEIGHT	PRODUCT CODE	
						SILVER	BLACK
700mm	650 - 700mm	417mm	392mm	158mm	22.00kg	VPD70SC	N/A
760mm	710 - 760mm	477mm	452mm	158mm	24.00kg	VPD76SC	N/A
800mm	750 - 800mm	517mm	492mm	158mm	25.00kg	VPD80SC	VPD80BC
900mm	850 - 900mm	617mm	592mm	158mm	28.50kg	VPD90SC	VPD90BC
1000mm	950 - 1000mm	717mm	692mm	158mm	32.00kg	VPD100SC	VPD100BC

+353 42 966 8000 | flairshowers.com | sales@flairshowers.com

All data presented may be subjected to change without prior notice. Flair Showers does the best it can to provide accurate information. Flair Showers unfortunately cannot guarantee this, and accept no liability for any information / advice given.

* Excludes perishable items such as rollers, seals, hinges, etc.

